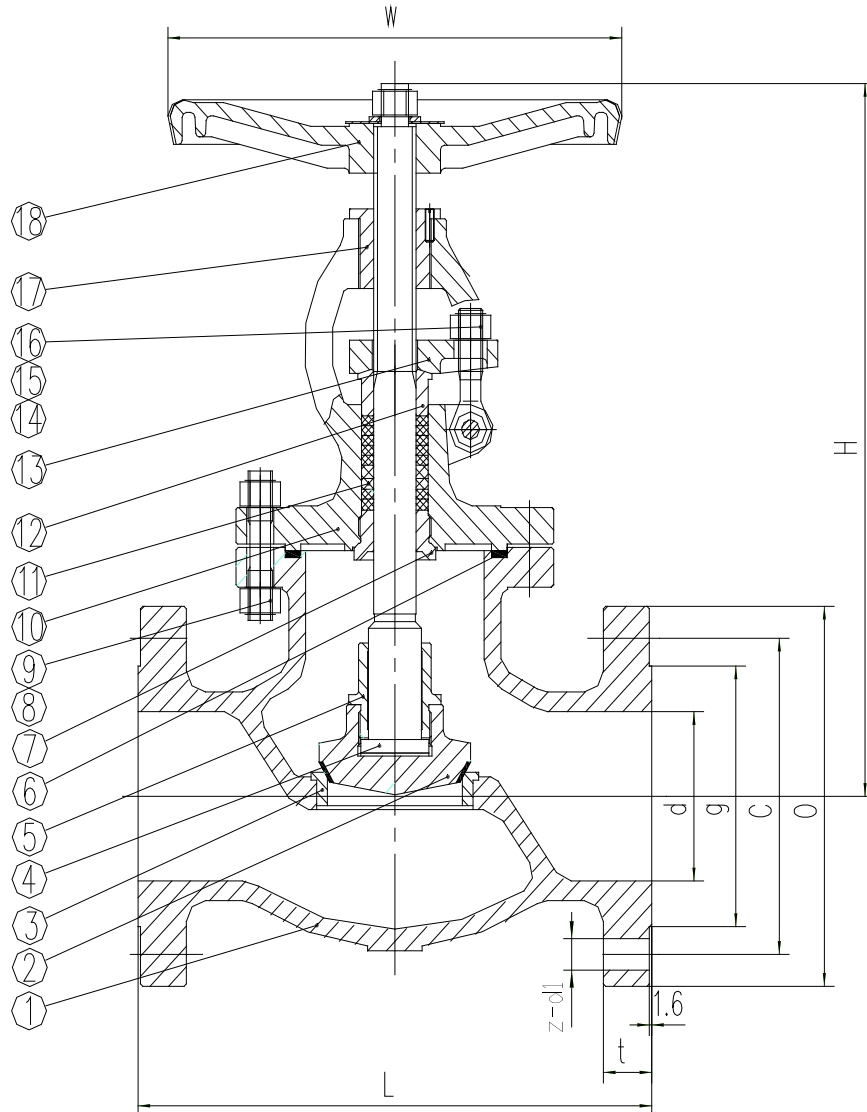
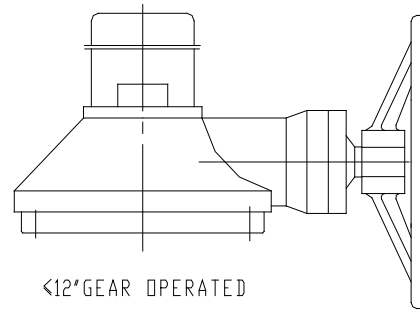


### TECHNICAL REQUIREMENTS

1. DESIGN AND MANUFACTURE: API 600 or API 6D
2. FACE TO FACE: ASME / ANSI B16.10
3. END FLANGE DIMENSIONS: ASME / ANSI B16.5
4. PRESSURE-TEMP: ASME / ANSI B16.34
5. PRESSURE TEST: API 598



NO	PART NAME	MATERIAL
1	BODY	A216 WCB
2	DISC	A105+13Cr
3	SEAT	A105+STL
4	STEM	A182 F6
5	DISC NUT	A182 F6
6	GASKET	SS304 + Graphite
7	BACK SEAT	A182 F6
8	BONNET BOLT	A193 B7
9	BONNET NUT	A194 2H
10	BONNET	A216 WCB
11	STEM PACKING	Flexible Graphite
12	GLAND	A182 F6
13	GLAND FLANGE	A216 WCB
14	PIN	Carbon Steel or Alloy Steel
15	GLAND NUT	A193 B7
16	GLAND EYEBOLT	A194 2H
17	STEM NUT	ZCuAl10Fe3
18	HAND WHEEL	KTH300-06

SIZES	GENERAL DIMENSIONS				FLANGE DIMENSIONS				
	d	H	W	L	O	C	g	t	Z-d1
40NB CLASS 150	39	225	140	165	127	98.5	73	16	4 - 16
50NB CLASS 150	51	340	200	203	152	120.5	92	16	4 - 19
65NB CLASS 150	64	370	250	216	178	139.5	105	18	4 - 19
80NB CLASS 150	76	400	280	241	190	152.5	127	19	4 - 19
100NB CLASS 150	102	470	300	292	229	190.5	157	24	8 - 19
125NB CLASS 150	127	500	350	356	254	216	186	24	8 - 22
150NB CLASS 150	152	540	400	406	279	241.5	216	26	8 - 22
200NB CLASS 150	203	645	450	495	343	298.5	270	29	8 - 22
250NB CLASS 150	254	800	550	622	406	362	324	31	12 - 25
300NB CLASS 150	305	1231	GEAR OPERATED	698	483	432	381	32	12 - 25
350NB CLASS 150	337	1350		787	533	476	413	35	12 - 29
400NB CLASS 150	387	1645		914	597	540	470	37	16 - 29

REV B	<b>John Valves</b>	
DATE	MAY 2006	<b>7011A-8</b>
SCALE	TO FIT	
<b>WCB GLOBE VALVE OS&amp;Y CLASS 150 RF</b>		