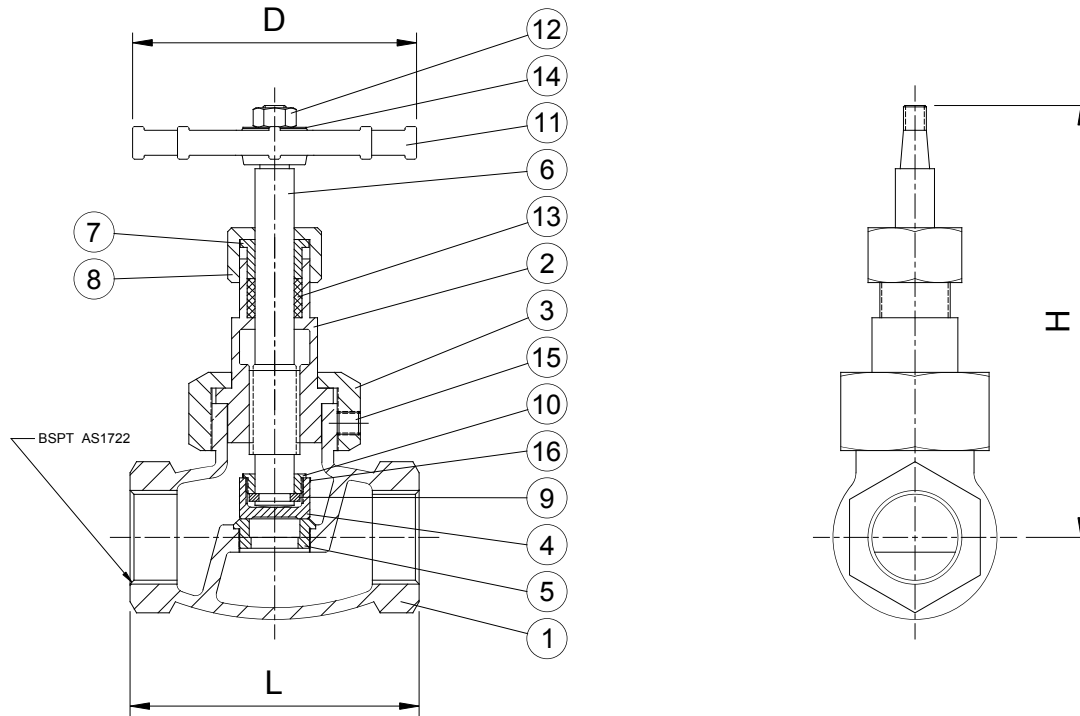


# JOHN FIG. 501 Threaded Globe Valve

**PRESSURES:** 4000 kPa CWP  
Steam: 1750 kPa @ 260°C

**STANDARDS:** To Australian Standard AS1271

**Options:** Handwheels – A Bronze – B Black Fibre Plastic  
Valves Available as Screw Down Non Return (SDNR) – Controllable Lift (CL)



## MATERIALS OF CONSTRUCTION

ITEM	DESCRIPTION	MATERIAL	STANDARD
1.	BODY	BRONZE	AS1565 C83600
2.	BONNET*	BRONZE	AS1565 C83600
3.	BONNET NUT*	BRONZE	AS1565 C83600
4.	VALVE DISC	STAINLESS STEEL	AS2837 - 431
5.	VALVE SEAT	STAINLESS STEEL	AS2837 - 431
6.	SPINDLE	MANG. BRONZE	AS1567 686D
7.	GLAND	DR BRASS	AS1567 - 360
8.	GLAND NUT	DR BRASS	AS1567 - 360
9.	SPLIT COLLAR	DR BRASS	AS1567 - 360
10.	RETAINER NUT	DR BRASS	AS1567 - 360
11.	HANDWHEEL	ZINC ALUM	AS1274
12.	HANDWHEEL NUT	DR BRASS	AS1567 - 360
13.	PACKING	GRAPHOIL	
14.	NAMEPLATE	ALUMINUM	
15.	GRUB SCREW	STAINLESS STEEL	
16.	TAB WASHER	STAINLESS STEEL	

## DIMENSIONS

SIZE	L	H	D	wt. (kg)
8	76	115	65	1.0
10	76	115	65	1.0
15	76	115	65	1.0
20	88	125	65	1.4
25	105	136	90	2.1
32	120	160	90	3.1
40	140	190	120	4.8
50	175	190	120	7.5
65	230	280	203	17.0
80	254	300	203	21.0

John Valves P/L reserves the right to change materials and/or dimensions without notice.

9/18