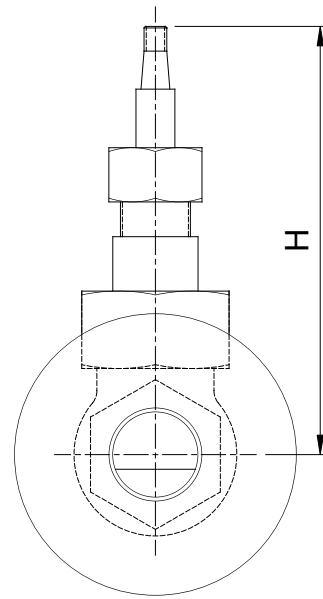
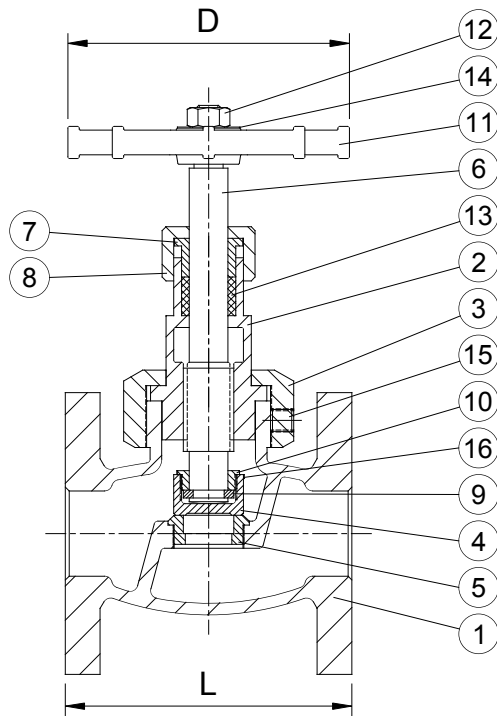


JOHN FIG. 502 Flanged Globe Valve

PRESSURES: 3500 kPa CWP
Steam: 1900 kPa @ 250°C
STANDARDS: To Australian Standard AS1271

Options: Handwheels – A Bronze – B Black Fibre Plastic
Valves Available as Screw Down Non Return (SDNR) – Controllable Lift (CL)



MATERIALS OF CONSTRUCTION

ITEM	DESCRIPTION	MATERIAL	STANDARD
1.	BODY	BRONZE	AS1565 C83600
2.	BONNET*	BRONZE	AS1565 C83600
3.	BONNET NUT*	BRONZE	AS1565 C83600
4.	VALVE DISC	STAINLESS STEEL	AS2837 - 431
5.	VALVE SEAT	STAINLESS STEEL	AS2837 - 431
6.	SPINDLE	MANG. BRONZE	AS1567 686D
7.	GLAND	DR BRASS	AS1567 - 360
8.	GLAND NUT	DR BRASS	AS1567 - 360
9.	SPLIT COLLAR	DR BRASS	AS1567 - 360
10.	RETAINER NUT	DR BRASS	AS1567 - 360
11.	HANDWHEEL	ZINC ALUM	AS1274
12.	HANDWHEEL NUT	DR BRASS	AS1567 - 360
13.	PACKING	GRAPHOIL	
14.	NAMEPLATE	ALUMINUM	
15.	GRUB SCREW	STAINLESS STEEL	
16.	TAB WASHER	STAINLESS STEEL	

DIMENSIONS

SIZE	L	H	D	wt. (kg)
20	114	125	65	3.3
25	130	136	90	4.7
32	140	160	90	7.5
40	181	190	120	9.5
50	203	190	120	14.0
65	230	280	203	23.0
80	254	300	203	29.0

John Valves P/L reserves the right to change materials and/or dimensions without notice.