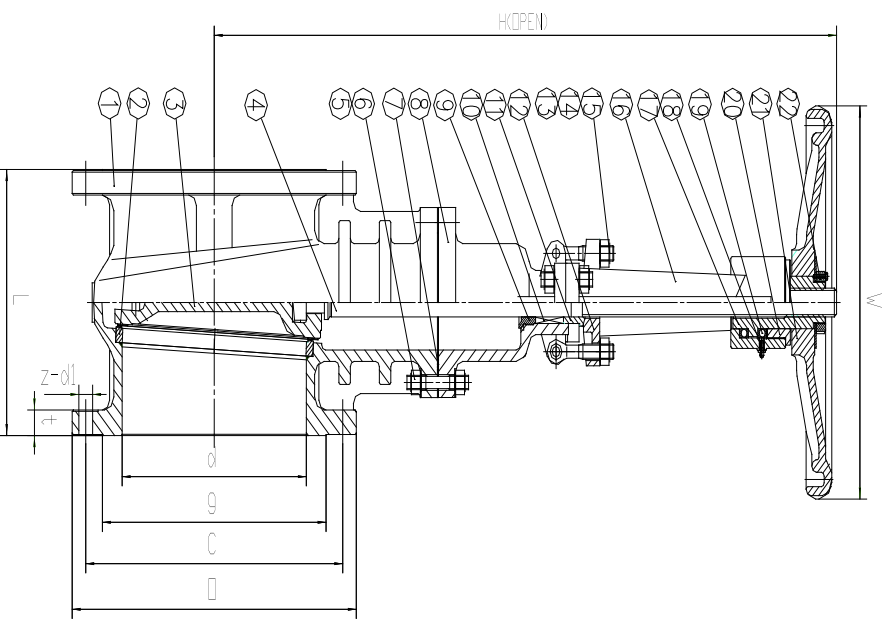


**TECHNICAL REQUIREMENTS**

1. DESIGN AND MANUFACTURE: API 600 or API 6D
2. FACE TO FACE: ASME / ANSI B16.10
3. END FLANGE DIMENSIONS: ASME / ANSI B16.5
4. PRESSURE-TEMP: ASME / ANSI B16.34
5. PRESSURE TEST: API 598



NO	PART NAME	MATERIAL
1	BODY	A216 WCB
2	SEAT RING	A105 +STL
3	WEDGE	A216 WCB+13Cr
4	STEM	A182 F6
5	BONNET BOLT	A193 B7
6	BONNET NUT	A194 2H
7	GASKET	SS304 + GRAPHITE
8	BONNET	A216 WCB
9	BACKSEAT BUSHING	A182 F6
10	STEM PACKING	GRAPHITE
11	GLAND	A182 F6
12	GLAND FLANGE	A216 WCB
13	GLAND NUT	A194 2H
14	PIN	45
15	GLAND EYEBOLT	A193 B7
16	YOKE	A216 WCB
17	STEM NUT	ZCuAl10Fe3
18	OIL CUP	
19	BEARING	
20	RETAINING NUT	AISI 1035
21	HAND WHEEL	DUCTILE IRON
22	H.W. LOCK NUT	AISI 1035

SIZES	GENERAL DIMENSIONS					FLANGE DIMENSIONS				
	d	H	W	L	O	C	g	t	Z-d1	
250NB CLASS 150	254	1186	400	330	406	362	324	31	12 - 25	
300NB CLASS 150	305	1415	400	356	483	432	381	32	12 - 25	
350NB CLASS 150	337	1583	450	381	533	476	413	35	12 - 29	
400NB CLASS 150	387	1771	500	406	597	540	470	37	16 - 29	
450NB CLASS 150	438	1915	550	432	635	578	533	40	16 - 32	
500NB CLASS 150	489	2300	600	457	699	635	584	43	20 - 32	
550NB CLASS 150	540	2500	650	483	750	692.1	641	46	20 - 35	
600NB CLASS 150	591	2700	650	508	813	749.5	692	48	20 - 35	

REVA	John Valves	
DATE	MAY 2005	7010A/8
SCALE	TO FIT	
GATE VALVE OS&Y CLASS 150 RF		