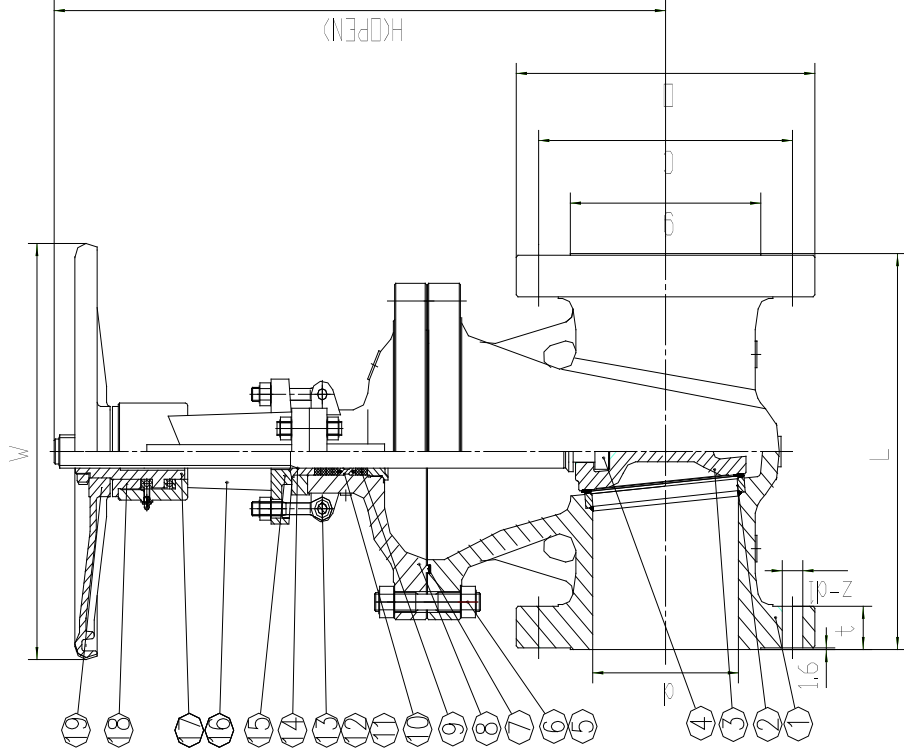


**TECHNICAL REQUIREMENTS**

1. DESIGN AND MANUFACTURE: API 600 or API 6D
2. FACE TO FACE: ASME / ANSI B16.10
3. END FLANGE DIMENSIONS: ASME / ANSI B16.5
4. PRESSURE-TEMP: ASME / ANSI B16.34
5. PRESSURE TEST: API 598



NO	PART NAME	MATERIAL
1	BODY	A216 WCB
2	SEAT RING	A105 + STL
3	WEDGE	A216 WCB+13Cr
4	STEM	A182 F6
5	BONNET BOLT	A193 B7
6	BONNET NUT	A194 2H
7	GASKET	SS304 + GRAPHITE
8	BONNET	A216 WCB
9	STEM PACKING	GRAPHITE
10	LANTERN	A182 F6
11	PIN	45
12	GLAND EYEBOLT	A193 B7
13	GLAND NUT	A194 2H
14	GLAND	A182 F6
15	GLAND FLANGE	A216 WCB
16	YOKE	A216 WCB
17	STEM NUT	ZCuAl10Fe3
18	HAND WHEEL	DUCTILE IRON

SIZES	GENERAL DIMENSIONS					FLANGE DIMENSIONS				
	d	H	W	L		O	C	g	t	Z - d1
250NB CLASS 300	254	1275	450	457		445	387.5	324	48	16 - 29
300NB CLASS 300	305	1438	450	502		521	451	381	51	16 - 32
350NB CLASS 300	337	1585	500	762		584	514.5	413	54	20 - 32
400NB CLASS 300	387	1960	550	838		648	571.5	470	58	20 - 35
450NB CLASS 300	432	2155	600	914		711	628.5	533	61	24 - 35
500NB CLASS 300	483	2180	650	991		775	686	584	64	24 - 35
600NB CLASS 300	584	2570	700	1143		914	813	692	70	24 - 41

REV A

John Valves

DATE MAY 2005

7030A/8

SCALE TO FIT

GATE VALVE OS&Y CLASS 300 RF