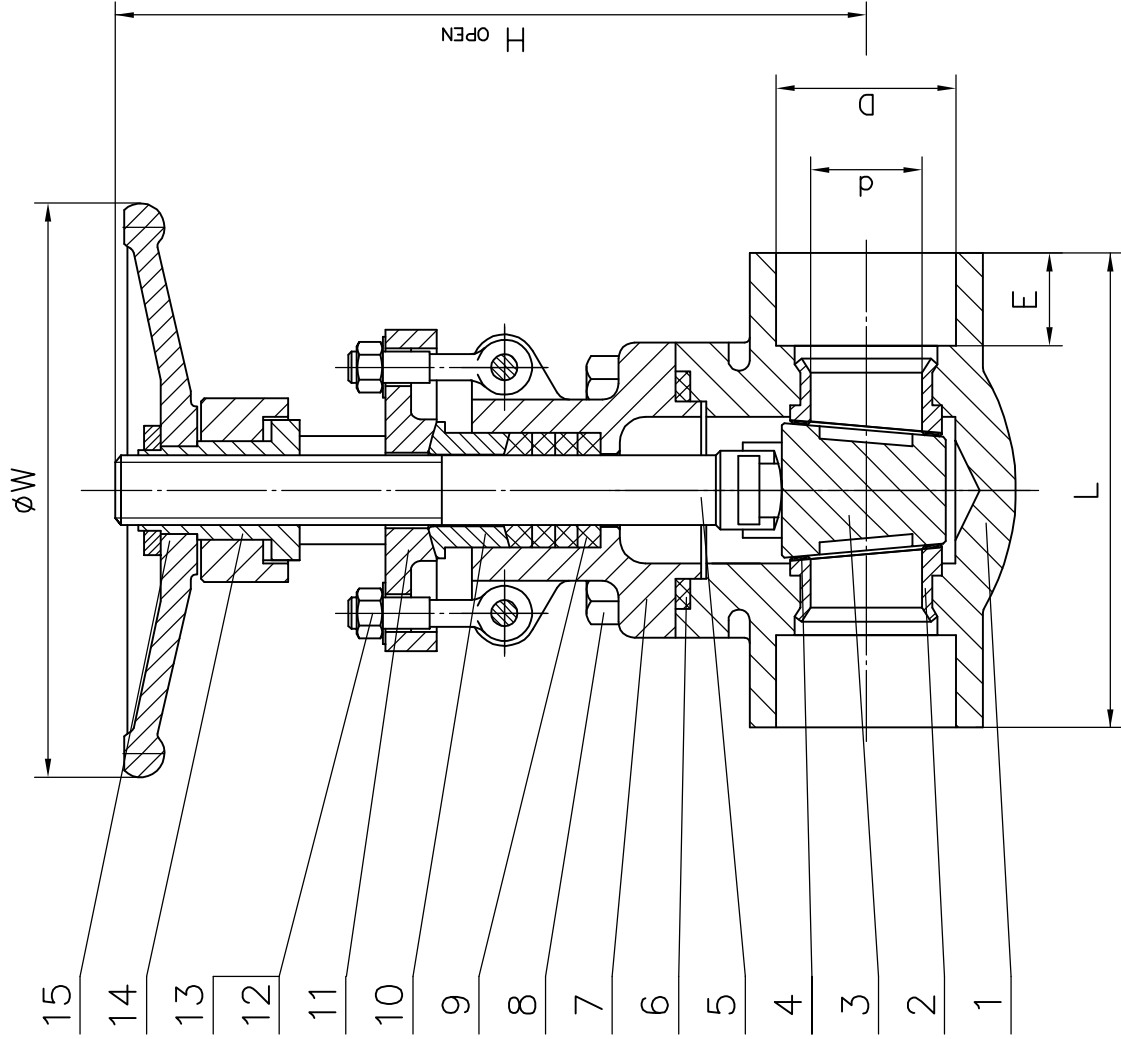


Nominal Diameter		Main Dimension (mm)						
inch	mm	d	D	E	L	H	øW	
1/2"	15	10	21.9	10	79	161	100	
3/4"	20	13	27.3	13	92	163	100	
1"	25	18	34	13	111	196	125	
1-1/4"	32	24	42.8	13	120	223	160	
1-1/2"	40	29	48.9	13	120	251	160	
2"	50	37	61.4	16	140	290	180	



15	Hand Wheel	ASTM A197
14	Stem Nut	A276 410
13	Gland Nut	A194 2H
12	Gland Eyebolt	A193 B7
11	Gland Flange	ASTM A105N
10	Gland	A276 410
9	Packing	Reinforced graphite filament
8	Bonnet Blot	ASTM A193 B7
7	Bonnet	ASTM A105N
6	Gasket	GPWD Graphite Filler
5	Stem	A276 410
4	Sealing Face	STL
3	Wedge	A276 420 + STL
2	Seat Ring	A276 410 + STL
1	Body	ASTM A105N
NO	PART NAME	MATERIAL
		REMARKS

Figure 7080W/5, GATE VALVE, CLASS 800

Design and Manufacture	API 602
Face to Face Dimensions	Factory Standard
Ends Socket Weld	ASME B16.11
Inspection and Test	API 598
John Valves	DATE 07.10.2017