

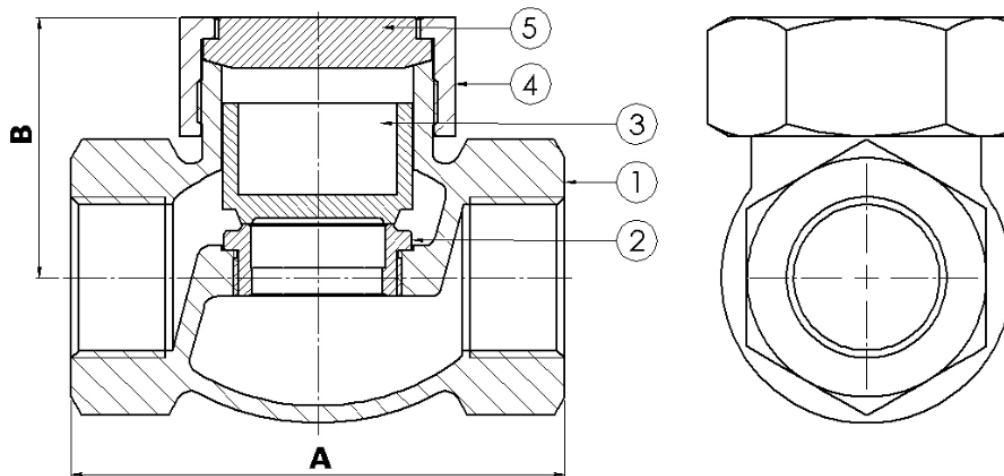
## JOHN FIG. 521 Lift Check Valve

**Maximum Working Pressures** Water/Oil : 4000 kPa @ 120 °C

Steam : 1750 kPa @ 260 °C

**Standards** To Australian Standard AS 1271

**End Connections** Screwed Taper Pipe Thread - BSPT



### MATERIAL OF CONSTRUCTION

ITEM	DESCRIPTION	MATERIAL	STANDARD
1	Body	Gunmetal	AS 1565 – C83600
2	Body Seat Ring	Stainless Steel	AS 2837 – 431
3	Disc	Stainless Steel	AS 2837 – 431
4	Bonnet Nut	Gunmetal	AS 1565 – C83600
5	Bonnet	Gunmetal	AS 1565 – C83600

### DIMENSIONS

SIZE	A (mm)	B (mm)	WEIGHT (kg)	Cv	Kv	K
15	74	42	0.5	1.9	0.05	16.2
20	89	48	0.8	4.3	0.10	15.0
25	102	54	1.2	8.0	0.19	13.8
32	116	64	1.9	12.9	0.30	13.2
40	132	70	2.7	19.0	0.45	12.6
50	149	90	4.9	35.0	0.83	11.4

John Valves P/L reserves the right to change materials and/or dimensions without notice.

08/2020