

JOHN FIG. 768SS & ST Relief Valves

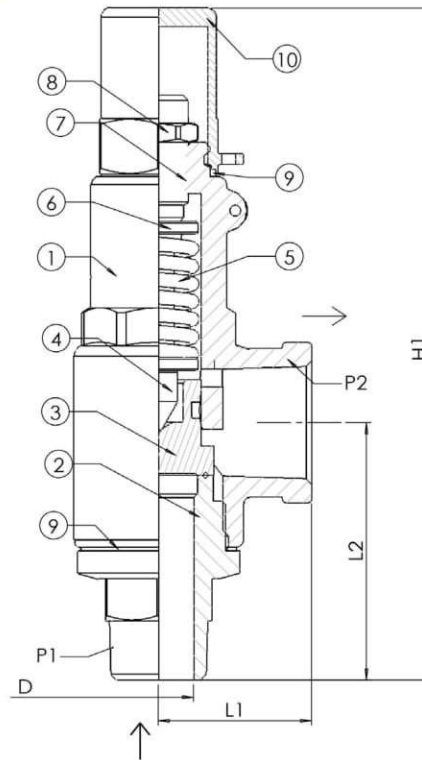
WORKING PRESSURES(COLD): 1.0 TO 12.0 BAR (STD. SPRING)

10 TO 20 BAR (HD. SPRING)

WORKING TEMPERATURE: 230°C MAXIMUM

FLOW RATE L/MIN OF WATER

Set Press Bar	1/2"	3/4"	1"	1-1/4"	1-1/2"	2"
1	21	33	60	97	141	234
2	29	46	85	138	199	331
3	36	57	104	169	244	405
4	42	66	120	195	282	468
5	47	74	134	218	315	523
6	51	81	147	239	345	573
7	55	87	159	258	373	619
8	59	93	170	276	398	662
9	63	99	180	293	423	702
10	66	105	190	308	445	740
11	70	111	200	323	463	778
12	76	120	215	240	485	815
13	82	129	230	265	512	835



MATERIALS OF CONSTRUCTION

ITEM	DESCRIPTION	768SS	768ST
1.	VALVE BODY	316SS	316SS
2.	VALVE SEAT	316SS	316SS
3.	DISC	316SS	316SS+PTFE
4.	STEM	304SS	304SS
5.	SPRING	304SS	304SS
6.	SPRING SEAT	304SS	304SS
7.	THREAD ROD	304SS	304SS
8.	ADJUST NUT	304SS	304SS
9.	GASKET	PTFE	PTFE
10.	CAP	304SS	304SS

DIMENSIONS

P1(BSP)	P2(BSP)	D	LIFT	L1	L2	H1	WEIGHT KG
1/2	1	15	1.04	41	66	179	1.30
3/4	1	20	1.52	41	65	177	1.30
1	1	25	2	41	71	183	1.30
1-1/4	2	32	2.56	65	101	261	4.90
1-1/2	2	40	3.04	65	101	261	5.00
2	2	50	4	65	104	265	5.30