

JOHN FIG. 848 Bronze Safety Valve

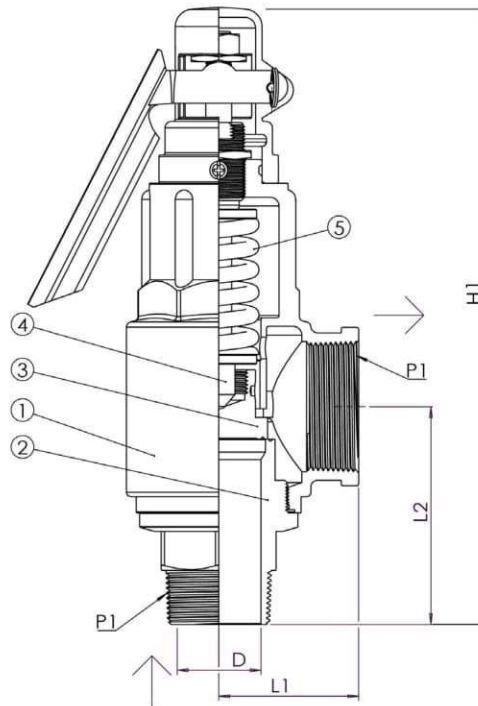
WORKING PRESSURES: 1.0 TO 15 BAR

WORKING TEMPERATURE: 225°C MAXIMUM

STEAM BLOWOUT CAPACITY

Kg/Hour @ 3% Overpressure

Set Press Kpa	1/2" / 3/4"	3/4" / 1"	1" / 1-1/4"	1-1/4" / 1-1/2"	1-1/2" / 2"	2" / 2-1/2"
	15/20	20/25	25/32	32/40	40/50	50/65
200	93	174	307	513	650	1117
300	125	233	399	678	872	1498
400	157	292	491	843	1094	1880
500	189	352	583	1008	1316	2261
600	221	411	675	1173	1538	2642
700	253	470	767	1338	1760	3023
800	284	530	860	1503	1982	3405
900	316	589	952	1668	2204	3786
1000	348	648	1044	1833	2426	4167
1100	380	708	1136	1998	2648	4548
1200	412	767	1228	2163	2870	4929
1300	444	827	1320	2328	3092	5311
1400	476	886	1412	2493	3315	5692
1500	508	945	1505	2658	3537	6073



MATERIALS OF CONSTRUCTION

ITEM	DESCRIPTION	MATERIAL
1.	BODY	GUNMETAL BRONZE
2.	BASE (SEAT)	STAINLESS STEEL
3.	DISC	STAINLESS STEEL
4.	STEM	STAINLESS STEEL
5.	SPRING	OIL TEMPERED STEEL

DIMENSIONS

PI (BSP)	D(SEAT)	P2 (BSP)	D	L1	L2	H1	Wt.Kg
1/2	17	3/4	15	36	54	167	0.73
3/4	21	1	20	40	66	200	1.30
1	28	1-1/4	25	50	76	216	1.89
1-1/4	36	1-1/2	32	57	92	246	2.48
1-1/2	43	2	40	65	102	285	4.02
2	56	2-1/2	50	76	110	300	5.55