



AUSTRALIAN VALVE AND ENGINEERING

PTY. LTD. • A.C.N. 007 400 759 • A.B.N. 98 007 400 759

VALVE AND FITTING MANUFACTURE
GENERAL ENGINEERING • VALVE RECONDITIONING

19 MARTIN DRIVE, BALLARAT. P.O. BOX 1755, BALLARAT MAIL CENTRE. 3354.
PHONE (03) 5336 2113 • FAX (03) 5336 2115 EMAIL avevalves@bigpond.com

WEBSITE www.aussievalve.com.au



JOHN VALVES

The Valve People
Australian made :: Australian owned

Australian Agents for



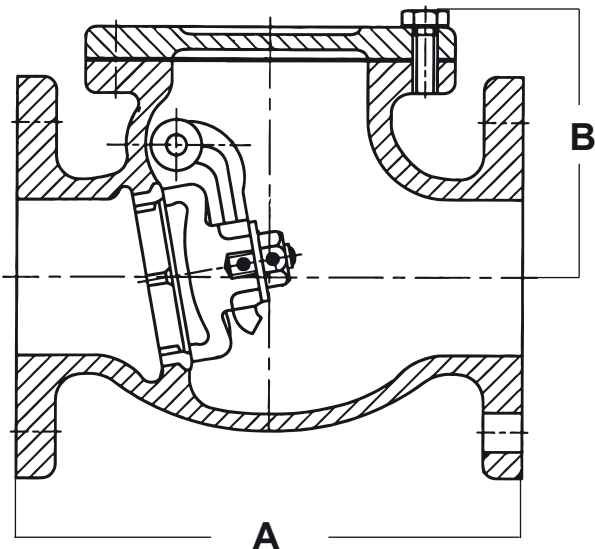
CAST IRON CHECK VALVES

MAX. WORKING PRESSURE

Water 1400 kpa @ 95° C

HYDROSTATIC TEST PRESSURE

Body: 2100 kpa Seat: 1400 kpa



Size mm	A	B	Kg
50	203	111	10
65	216	127	12
80	241	139	16
100	292	158	25
125	330	190	40
150	356	203	50
200	495	246	87
250	622	282	144
300	698	330	215

All measurements in mm

PH404E Cast Iron Swing Check Valves

The Fig PH404E cast iron swing check valves, also known as reflux valves, are designed to give full bore flow on liquid lines. They can be used in both horizontal and vertical applications with equal success. Flanges available in AS2129 Table 'E', ANSI-125 and Undrilled.

Fig PH404E Swing Check Valve



MATERIALS OF CONSTRUCTION

Component	Material
Body	Cast Iron
Cover	Cast Iron
Disc	Cast Iron
Hinge	Ductile Iron
Body Seat Ring	Cast Bronze
Disc Seat Ring	Cast Bronze
Hinge Pin	Stainless Steel