



# AUSTRALIAN VALVE AND ENGINEERING

PTY. LTD. • A.C.N. 007 400 759 • A.B.N. 98 007 400 759

VALVE AND FITTING MANUFACTURE  
GENERAL ENGINEERING • VALVE RECONDITIONING

19 MARTIN DRIVE, BALLARAT. P.O. BOX 1755, BALLARAT MAIL CENTRE. 3354.

PHONE (03) 5336 2113 • FAX (03) 5336 2115 EMAIL avevalves@bigpond.com

WEBSITE [www.aussievalve.com.au](http://www.aussievalve.com.au)



# JOHN VALVES

The Valve People

Australian made :: Australian owned

Australian Agents for



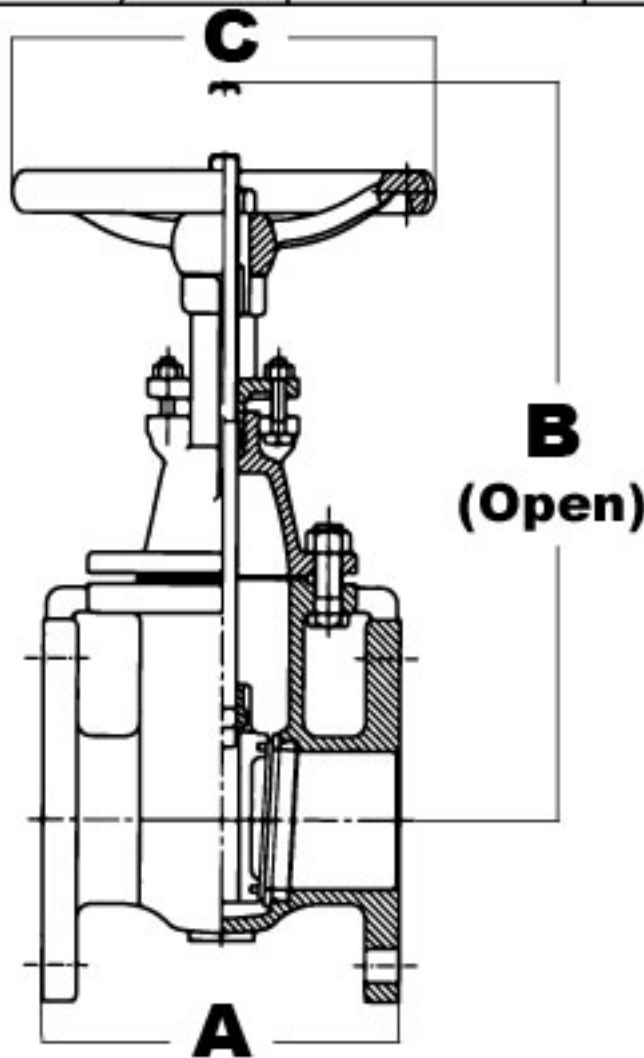
## CAST IRON GATE VALVES

### MAX. WORKING PRESSURE

Water 1400 kpa @ 65° C

### HYDROSTATIC TEST PRESSURE

Body: 2100 kpa Seat: 1400 kpa



Size	A	B (Open)	C	Kg
50	178	321	160	14
65	191	349	160	16
80	203	392	180	20
100	229	494	200	35
125	254	617	250	51
150	267	700	280	67
200	292	884	300	102
250	330	1097	355	150
300	356	1273	400	225

All measurements in mm

### PH601E Cast Iron Gate Valves

The Ever Fig. PH601E OS&Y rising stem gate valves are mostly used for water application but are also suitable for general use on many other fluids. They have a solid wedge with matching tapered seats. Flanges available in AS2129 Table 'E', ANSI-125 and Undrilled.

### Fig PH601E Gate Valve



### MATERIALS OF CONSTRUCTION

Component	Material
Body	Cast Iron
Bonnet	Cast Iron
Disc	Cast Iron
Stuffing Box	Ductile Iron
Gland Flange	Ductile Iron
Body Seat Ring	Cast Bronze
Disc Seat Ring	Cast Bronze
Stem	Stainless Steel
Disc Nut	Cast Bronze