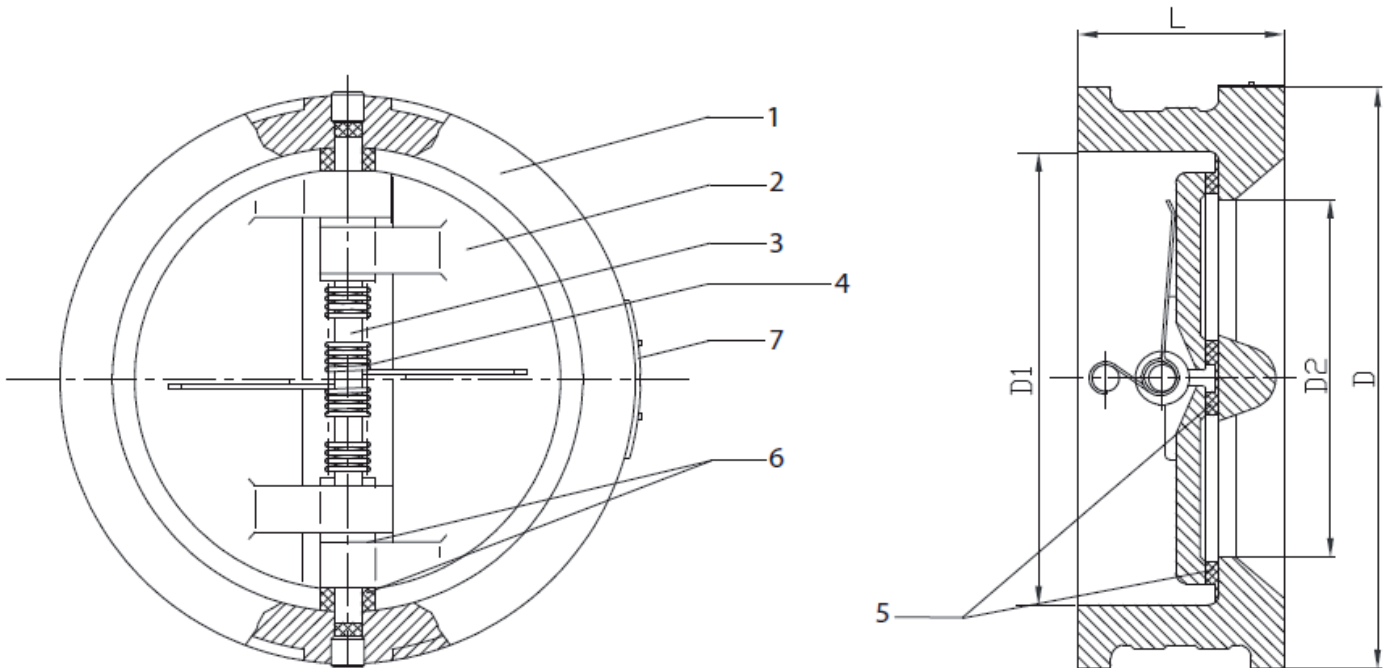


JOHN FIG. 430 Duo Check Valve



MATERIALS OF CONSTRUCTION

ITEM	DESCRIPTION	MATERIAL
1.	BODY	DUCTILE IRON
2.	DISC	ASTM A351 CF8M
3.	STEM	AISI 316
4.	SPRING	AISI 316
5.	SEAL	EPDM
6.	BUSHING	TEFLON
7.	NAME PLATE	AISI 304

DIMENSIONS

SIZE	L	D	D1	D2	WEIGHT Kg
50	43	98	65	40	1.5
65	46	110	80	60	2.4
80	64	128	94	70	3.6
100	64	156	117	88	5.7
125	70	187	145	115	7.3
150	76	213	170	134	9
200	89	267	224	182	17
250	114	328	265	220	26
300	114	375	310	260	55
350	127	448	360	296	55
400	140	498	410	350	75
450	152	562	450	385	107
500	152	619	505	438	111
600	178	727	624	538	165