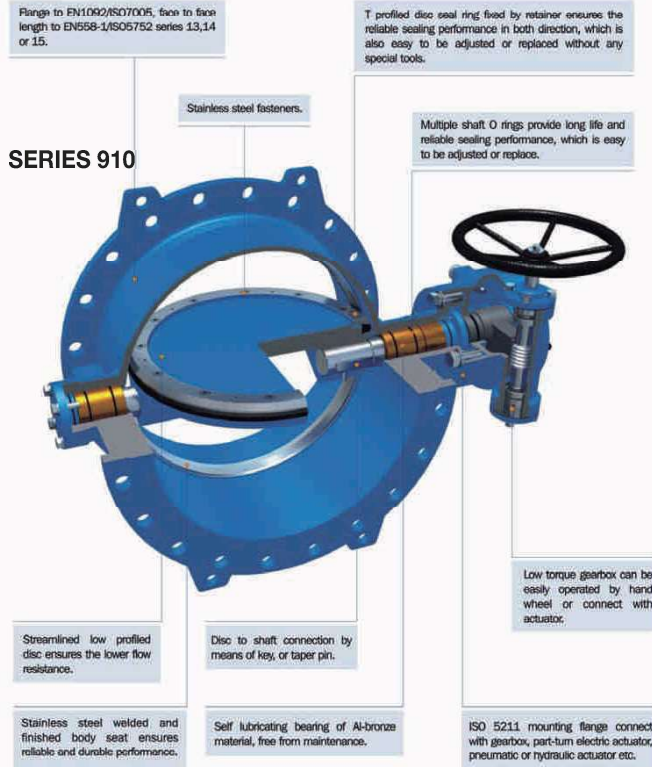


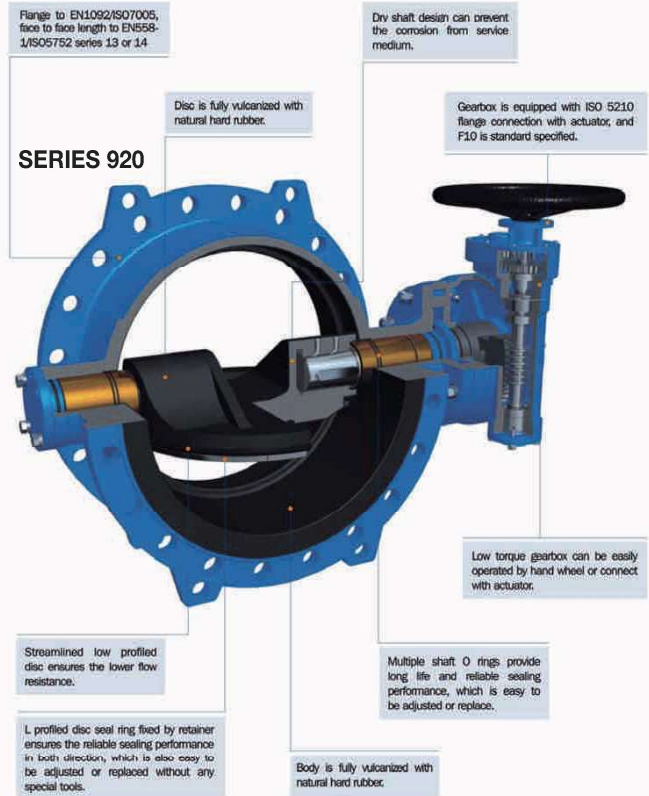
Double Eccentric Double Flange Butterfly Valve

Double flanged type
Face to face length acc. to EN558-1 series 14/13/15 (ISO 5752 series 14/13/15, DIN 3202 F4/F16/F5)
Flange dimensions and drilling acc. to EN1092-2 (ISO 7005-2)

Size: DN100-DN4200 Pressure: PN6-PN40
Coating: fusion bonded epoxy coating min. thickness >250micron
Suitable medium: water and low-corrosive liquid etc. Suitable temperature: -10-80°C



SERIES 910



SERIES 920

COMPONENT LIST

NAME	MATERIAL	SPECIFICATION	REMARKS
Upper Shaft	Stainless Steel	1.4057 (SS431)	
Key	Duplex Stainless Steel	1.4462(S31803)	for SERIES 920
	Stainless Steel	1.4021(SS420)	
Paking Gland	Duplex Stainless Steel	1.4462(S31803)	for SERIES 920
	Ductile Iron	GJS500-7(GGG50),GJS400-15(GGG40)	
Shaft Bearing	Carbon Steel	1.0619(WCB)	
	Bronze	QA19-2,CC331G	
O Ring	Rubber	EPDM,NBR	
Pin	Stainless Steel	1.4021(SS420)	
	Duplex Stainless Steel	1.4462(S31803)	for SERIES 920
Body	Ductile Iron	GJS500-7(GGG50),GJS400-15(GGG40)	
Disc	Ductile Iron	GJS500-7(GGG50),GJS400-15(GGG40)	
Lining	Rubber	Natural Rubber	for SERIES 920
Retainer Ring	Carbon Steel	1.0038(SS235JR)	
	Stainless Steel	1.4401 (SS316)	
	Duplex Stainless Steel	1.4462(S31803)	for SERIES 920
Disc Seal Ring	Rubber	EPDM, NBR	
Lower Shaft	Stainless Steel	1.4057 (SS431)	
	Duplex Stainless Steel	1.4462(S31803)	for SERIES 920
End Cover	Ductile Iron	GJS500-7(GGG50),GJS400-15(GGG40)	
Body Seal Ring	Stainless Steel	1.4401(SS316)	
Bolt	Stainless Steel	A2-70	
	Stainless Steel	A4-70	for SERIES 920

John Valves P/L reserves the right to change materials and/or dimensions without notice.

9/18

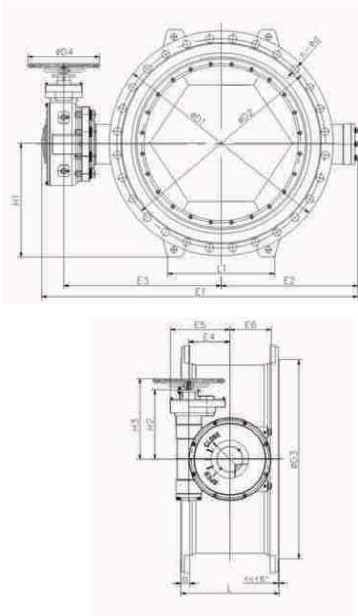
Double Eccentric Double Flange Butterfly Valve

Double flanged type

Face to face length acc. to EN558-1 series 14/13
(ISO 5752 series 14/13, DIN 3202 F4/F16)
Flange dimensions and drilling acc. to EN1092-2
(ISO 7005-2)

DIMENSIONS/PN10

Unit:mm



DN	D1	D2	D3	B	f	L	n-d	H1	H2	H3	E1	E2	E3	E4	E5	E6	L1	D4
						Series 14 Series 13												
200	Ø340	Ø295	Ø266	20	3	230	152 8-Ø23	175	137	193	526	196	272	64	99	86	196	240
250	Ø395	Ø350	Ø319	22	3	250	165 12-Ø23	202.5	137	193	568	219	293	64	99	86	240	240
300	Ø445	Ø400	Ø370	24.5	4	270	178 12-Ø23	227.5	178	233	670	254	351	93.4	135	115	260	320
350	Ø505	Ø460	Ø429	24.5	4	290	190 16-Ø23	257.5	178	233	720	279	376	93.4	135	115	280	320
400	Ø565	Ø515	Ø480	24.5	4	310	216 16-Ø28	287.5	192	283	834	320	432	120	169	138	310	400
450	Ø615	Ø565	Ø530	25.5	4	330	222 20-Ø28	312.5	192	283	903	359	462	120	169	138	340	400
500	Ø670	Ø620	Ø582	26.5	4	350	229 20-Ø28	340	317	378	968	393	513	120	186	138	370	400
600	Ø780	Ø725	Ø682	30	5	390	267 20-Ø31	395	315	376	1119	450	580	148	214	166	430	400
700	Ø895	Ø840	Ø794	32.5	5	430	292 24-Ø31	452.5	315	376	1217	530	598	148	214	166	480	400
800	Ø1015	Ø950	Ø901	35	5	470	318 24-Ø34	512.5	346	407	1410	614	691	185	265	196	560	400
900	Ø1115	Ø1050	Ø1001	37.5	5	510	330 28-Ø34	562.5	346	407	1530	675	750	185	265	196	615	400
1000	Ø1230	Ø1160	Ø1112	40	5	550	410 28-Ø37	620	390	451	1712	748	839	230	333	232	670	400
1200	Ø1455	Ø1380	Ø1328	45	5	630	470 32-Ø41	732.5	451	512	1971	865	981	230	368	232	800	400
1400	Ø1675	Ø1590	Ø1530	46	5	710	530 36-Ø44	842.5	507	568	2313	1011	1138	315	453	327	920	400
1500	Ø1785	Ø1700	Ø1640	48	5	750	565 36-Ø44	897.5	507	568	2489	1112	1213	315	453	327	980	400
1600	Ø1915	Ø1820	Ø1750	49	5	790	600 40-Ø50	962.5	507	568	2588	1161	1263	315	453	327	1050	400
1800	Ø2115	Ø2020	Ø1950	52	5	870	670 44-Ø50	1063	599	660	3038	1324	1501	412	613	408	1162	400
2000	Ø2325	Ø2230	Ø2150	55	5	950	760 48-Ø50	1168	599	660	3256	1436	1606	412	613	408	1270	400

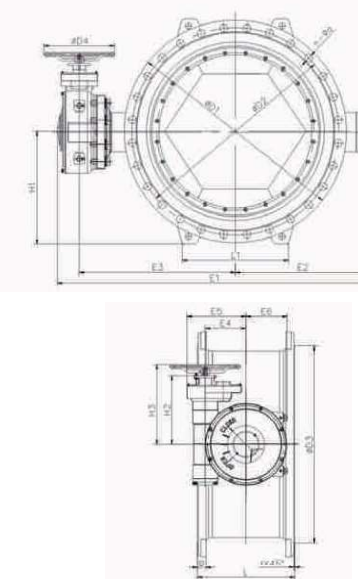
If there is any request for larger sizes, please contact us in detail.

Double flanged type

Face to face length acc. to EN558-1 series 14/13
(ISO 5752 series 14/13, DIN 3202 F4/F16)
Flange dimensions and drilling acc. to EN1092-2
(ISO 7005-2)

DIMENSIONS/PN16

Unit:mm



DN	D1	D2	D3	B	f	L	n-d	H1	H2	H3	E1	E2	E3	E4	E5	E6	L1	D4
						Series 14 Series 13												
200	Ø340	Ø295	Ø266	20	3	230	152 12-Ø3	175	137	193	526	196	272	64	99	86	196	240
250	Ø405	Ø355	Ø319	22	3	250	165 12-Ø28	207.5	178	233	623	230	328	93.4	135	115	240	320
300	Ø460	Ø410	Ø370	24.5	4	270	178 12-Ø28	235	178	233	670	254	351	93.4	135	115	275	320
350	Ø520	Ø470	Ø429	26.5	4	290	190 16-Ø28	265	192	283	784	295	407	120	169	138	290	400
400	Ø580	Ø525	Ø480	28	4	310	216 16-Ø31	295	192	283	853	334	437	120	169	138	320	400
450	Ø640	Ø585	Ø548	30	4	330	222 20-Ø31	325	317	378	938	368	488	120	186	138	360	400
500	Ø715	Ø650	Ø609	31.5	4	350	229 20-Ø34	362.5	315	376	1019	400	530	146	214	166	395	400
600	Ø840	Ø770	Ø720	36	5	390	267 20-Ø37	425	315	376	1117	480	548	148	214	166	470	400
700	Ø910	Ø840	Ø794	39.5	5	430	292 24-Ø37	460	346	407	1308	563	640	185	265	196	480	400
800	Ø1025	Ø950	Ø901	43	5	470	318 24-Ø41	517.5	346	407	1426	623	698	185	265	196	560	400
900	Ø1125	Ø1050	Ø1001	46.5	5	510	330 28-Ø41	567.5	390	451	1612	698	789	230	333	232	618	400
1000	Ø1255	Ø1170	Ø1112	50	5	550	410 28-Ø44	635.5	451	512	1773	766	882	230	368	232	600	400
1200	Ø1485	Ø1390	Ø1328	57	5	630	470 32-Ø50	747.5	507	568	2112	910.5	1038	315	453	327	800	400
1400	Ø1685	Ø1590	Ø1530	60	5	710	530 36-Ø50	847.5	599	660	2529	1063	1253	412	613	408	920	400
1500	Ø1820	Ø1710	Ø1640	62.5	5	750	565 36-Ø57	915	509	660	2633	1120	1300	412	613	408	1000	400
1600	Ø1930	Ø1820	Ø1750	65	5	790	600 36-Ø57/4-M2	970	599	660	2754	1172	1369	412	613	408	1060	400
1800	Ø2130	Ø2020	Ø1950	70	5	870	670 36-Ø57/8-M2	1070	777	838	3257	1416	1602	495	725	485	1170	600
2000	Ø2345	Ø2230	Ø2150	75	5	950	760 48-Ø62	1178	777	838	3523	1583	1701	495	725	485	1290	600

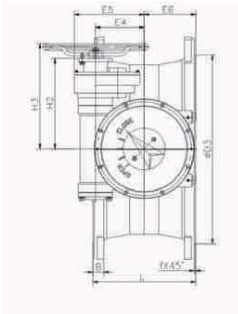
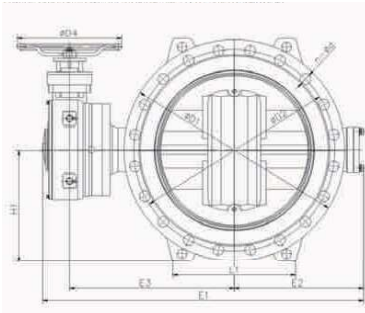
If there is any request for larger sizes, please contact us in detail.

Double Eccentric Double Flange Butterfly Valve

Double flanged type
Face to face length acc. to EN558-1 series 14 (ISO 5752 series 14, DIN 3202 F4)
Flange dimensions and drilling acc. to EN1092-2 (ISO 7005-2)

DIMENSIONS/PN25

Unit:mm



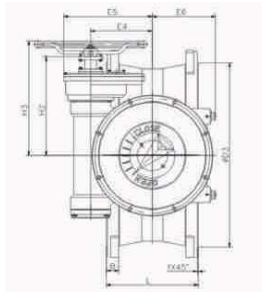
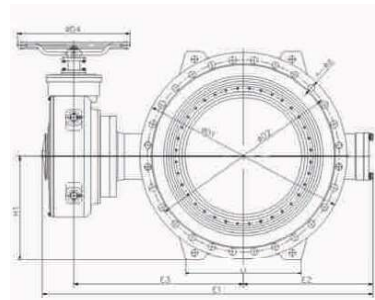
DN	D1	D2	D3	B	f	L	n-d	H1	H2	H3	E1	E2	E3	E4	E5	E6	L1	D4
200	Ø360	Ø310	Ø274	22	3	230	12-Ø28	190	178	233	586	221	300	93.4	135	115	220	320
250	Ø425	Ø370	Ø330	25	3	250	12-Ø31	220	178	233	656	254	337	93.4	135	115	260	320
300	Ø485	Ø430	Ø389	28	4	270	16-Ø31	250	192	283	757	298	377	120	169	138	300	400
350	Ø555	Ø490	Ø448	30	4	290	16-Ø34	285	317	378	830	318	430	120	186	138	320	400
400	Ø620	Ø550	Ø503	32	4	310	16-Ø37	315	315	376	945	370	486	148	214	166	350	400
450	Ø670	Ø600	Ø548	34.5	4	330	20-Ø37	340	315	376	991	406	496	148	214	166	370	400
500	Ø730	Ø660	Ø609	37	4	350	20-Ø37	370	346	407	1112	453	554	185	265	196	410	400
600	Ø845	Ø770	Ø720	42	5	390	20-Ø41	427.5	346	407	1235	496	631	185	265	196	470	400
700	Ø960	Ø875	Ø820	46.5	5	430	24-Ø44	485	390	451	1398	569	704	230	333	232	530	400
800	Ø1085	Ø990	Ø928	51	5	470	24-Ø50	547.5	390	451	1571	646	800	230	333	232	600	400
900	Ø1185	Ø1090	Ø1028	55.5	5	510	28-Ø50	597.5	451	512	1669	695	849	230	368	232	655	400
1000	Ø1320	Ø1210	Ø1140	60	5	550	24-Ø57/4-M52	665	507	568	1923	779	980	315	453	327	730	400
1200	Ø1530	Ø1420	Ø1350	69	5	630	32-Ø57	770	599	660	2252	903	1136	412	613	408	840	400
1400	Ø1755	Ø1640	Ø1560	74	5	710	36-Ø62	882.5	599	660	2516	1041	1262	412	613	408	970	400
1500	Ø1865	Ø1750	Ø1678	77.5	5	750	36-Ø62	937.5	599	660	2651	1130	1308	412	613	408	1030	400
1600	Ø1975	Ø1860	Ø1780	81	5	790	36-Ø62/4-M56	992.5	777	838	2852	1208	1405	495	725	485	1080	400

If there is any request for larger sizes, please contact us in detail.

Double flanged type
Face to face length acc. to EN558-1 series 14 (ISO 5752 series 14, DIN 3202 F4)
Flange dimensions and drilling acc. to EN1092-2 (ISO 7005-2)

DIMENSIONS/PN40

Unit:mm



DN	D1	D2	D3	B	f	L	n-d	H1	H2	H3	E1	E2	E3	E4	E5	E6	L1	D4
200	Ø375	Ø320	Ø284	30	3	230	12-Ø31	192.5	178	233	603	229	309	93.4	135	115	180	320
250	Ø450	Ø385	Ø345	35	3	250	8-Ø34/4-M30	230	192	283	712	261	369	120	169	138	200	400
300	Ø515	Ø450	Ø409	40	4	270	12-Ø34/4-M30	262.5	317	378	795	305	408	120	186	138	240	400
350	Ø580	Ø510	Ø465	44	4	290	12-Ø37/4-M33	295	315	376	904	360	455	148	214	166	320	400
400	Ø660	Ø585	Ø535	48	4	310	12-Ø41/4-M36	335	315	376	1001	407	505	148	214	166	320	400
450	Ø685	Ø610	Ø560	49	4	330	16-Ø41/4-M36	347.5	346	407	1067	429	533	185	265	196	360	400
500	Ø755	Ø670	Ø615	52	4	350	16-Ø44/4-M39	382.5	346	407	1180	477	598	185	265	196	450	400
600	Ø890	Ø795	Ø735	58	5	390	16-Ø50/4-M45	450	390	451	1363	555	683	230	333	232	500	400
700	Ø995	Ø900	Ø840	64	5	470	20-Ø48/4-M45	505	507	568	1625	666	795	315	453	327	560	400
800	Ø1140	Ø1030	Ø960	72	5	470	24-Ø56/4-M52	575	507	568	1696	664	868	315	453	327	630	400
900	Ø1250	Ø1140	Ø1070	76	5	510	24-Ø56/4-M52	635	507	568	1904	785	955	315	453	327	690	400
1000	Ø1360	Ø1250	Ø1180	80	5	550	24-Ø56/4-M52	690	599	660	2039	837	989	412	613	408	740	400
1100	Ø1460	Ø1350	Ø1280	85	5	590	24-Ø56/4-M52	735	599	660	2384	997	1174	412	613	408	800	400
1200	Ø1575	Ø1460	Ø1380	88	5	630	24-Ø62/4-M56	792.5	777	838	2595	1077	1279	495	725	485	860	600
1400	Ø1795	Ø1680	Ø1600	98	5	710	28-Ø62/4-M56	902.5	777	838	2839	1200	1400	495	725	485	1000	600
1500	Ø1925	Ø1800	Ø1715	105	5	750	26-Ø70/4-M64	967.5	777	838	3041	1305	1497	495	725	485	1060	600
1600	Ø2025	Ø1900	Ø1815	108	5	790	32-Ø70/4-M64	1018	958		3252	1410	1520	560	820	566	1110	

If there is any request for larger sizes, please contact us in detail.