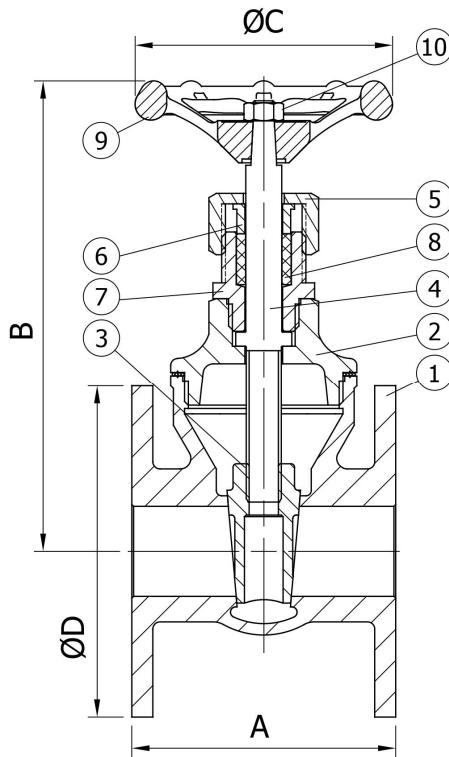


JOHN FIG. 60 Flanged Gate Valve – 2100 kPa

PRESSURES: 2100 kPa CWP
Maximum Working Pressure @100 °C

STANDARDS: Dezincification Resistant
AS 1628: Copper Alloy Valves
AS 4020: Materials Suitable for Potable Water Service

END FLANGES: AS 2129 Table F



MATERIALS OF CONSTRUCTION

ITEM	DESCRIPTION	MATERIAL	STANDARD
1.	BODY	GUNMETAL	AS1565-C83600
2.	BONNET	GUNMETAL	AS1565-C83600
3.	WEDGE	GUNMETAL	AS1565-C83600
4.	STEM	DR BRASS	AS1567-C35330
5.	GLAND NUT	DR BRASS	AS1567-C35330
6.	GLAND FOLLOWER	DR BRASS	AS1567-C35330
7.	STUFFING BOX	DR BRASS	AS1567-C35330
8.	PACKING	PTFE	
9.	HANDWHEEL	ALUMINIUM	
10.	HANDWHEEL NUT	CS – ZINC PL.	

DIMENSIONS

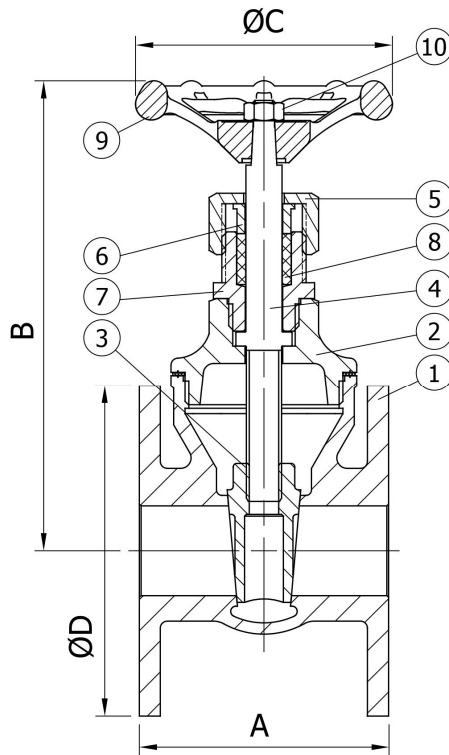
SIZE	A	B	C	D	Wt. (kg)
15	70	108	64	95	1.8
20	73	113	73	102	2.0
25	89	134	73	120	3.0
32	102	155	92	135	4.5
40	118	170	92	140	5.0
50	143	212	105	165	8.0
65	156	246	140	185	13.0
80	170	265	152	203	18.0

JOHN FIG. 60M Flanged Gate Valve – 1400 kPa

PRESSURES: 1400 kPa CWP
Maximum Working Pressure @100 °C

STANDARDS: Dezincification Resistant
AS 1628: Copper Alloy Valves
AS 4020: Materials Suitable for Potable Water Service

END FLANGES: AS 2129 Table E



MATERIALS OF CONSTRUCTION

ITEM	DESCRIPTION	MATERIAL	STANDARD
1.	BODY	GUNMETAL	AS1565-C83600
2.	BONNET	GUNMETAL	AS1565-C83600
3.	WEDGE	GUNMETAL	AS1565-C83600
4.	STEM	DR BRASS	AS1567-C35330
5.	GLAND NUT	DR BRASS	AS1567-C35330
6.	GLAND FOLLOWER	DR BRASS	AS1567-C35330
7.	STUFFING BOX	DR BRASS	AS1567-C35330
8.	PACKING	PTFE	
9.	HANDWHEEL	ALUMINIUM	
10.	HANDWHEEL NUT	CS – ZINC PL.	

DIMENSIONS

SIZE	A	B	C	D	Wt. (kg)
32	95	155	92	120	4.3
40	102	170	92	135	4.5
50	114	212	105	150	6.5
65	120	232	117	165	10.0
80	140	278	140	185	14.5

Note: For sizes DN15 to DN25, use John Fig. 60 Bronze Gate Valve.