

JOHN FIG 848SS

Safety Valve

The John Fig 848SS is a safety valve designed in Cast Steel, designed to comply with standard AS1271. Primarily implemented for steam applications, this valve boasts a robust stainless-steel disc and seating arrangement, ensuring reliable performance under demanding conditions. With its capability to operate at temperatures up to 230 Celsius, it stands as a dependable safeguard in various industrial settings

Body	Stainless Steel
Size Range	DN15 – DN39
Pressure Range	1.0 to 12.0 bar (Std. Spring) 10.0 to 20.0 bar (HD Spring)
Temperature	196°C to 230°C
Connections	Male -BSP x Female- BSP
Options	Spring Protector
Standards	AS1271

Dimensions

P1 (BSP)	P2 (BSP)	D (Mm)	LIFT (mm)	L1 (mm)	L2 (mm)	H1 (mm)	Kg
½"	1"	15	1.0	41	66	200	1.4
¾"	1"	20	1.5	41	65	199	1.4
1"	1"	21	2.0	41	71	205	1.4
1¼"	2"	33	2.5	65	101	285	5.4
1½"	2"	39	3.0	65	101	285	5.4
2"	2"	39	4.0	65	104	288	5.4

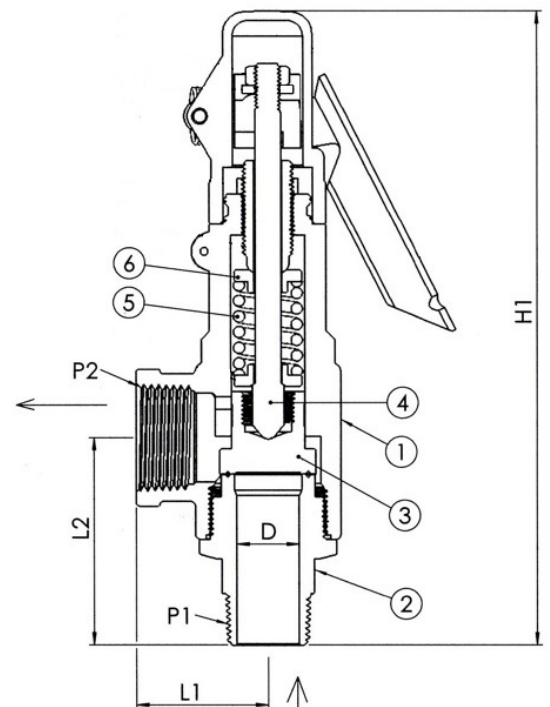
Materials of Construction

ID	Description	Material	Specification
1	Body	Stainless Steel	ASTM A351 Gr CF8M (316)
2	Seat	Stainless Steel	ASTM A276 Gr.316
3	Disc	Stainless Steel	ASTM A276 Gr.304
4	Spindle	Stainless Steel	ASTM A276 Gr.304
5	Spring	Stainless Steel	ASTM A276 Gr.304
6	Spring Seat	Stainless Steel	ASTM A276 Gr.304

Water capacities in L/M at 10% Overpressure

Guage Pressure (kPa)	40	50	65	80	100
69	84.1	163	255	364	649
345	187	364	568	816	1452
690	266	515	802	1130	2053
1036	326	631	977	1412	2514
1378	376	728	1136	1630	2903

* Recommended spares; available from John Valves. Recommended inspection every 12 months.



Steam Discharge Capacity (kg/h)

Set Pres. (bar)	½" x 1"	¾" x 1"	1" x 1"	1¼" x 2"	1½" x 2"	2" x 2"
1	24	46	64	128	180	237
2	47	92	127	256	360	473
3	71	138	191	385	540	710
4	95	185	255	513	720	947
5	118	231	319	641	900	1184
6	142	277	382	769	1079	1420
7	166	323	446	897	1259	1657
8	189	369	510	1026	1439	1894
9	213	415	574	1154	1619	2130
10	237	461	637	1282	1799	2367
11	260	507	701	1410	1979	2604
12	284	554	765	1538	2159	2841
13	308	600	828	1666	2339	3077

Air Discharge Capacity (l/s) @ 20°C

Set Pres. (bar)	½" x 1"	¾" x 1"	1" x 1"	1¼" x 2"	1½" x 2"	2" x 2"
1	9	17	23	47	66	87
2	17	34	47	94	132	174
3	26	51	70	141	198	260
4	35	68	94	188	264	347
5	43	85	117	235	330	434
6	52	102	140	282	396	521
7	61	118	164	329	462	608
8	69	135	187	376	528	695
9	78	152	210	423	594	781
10	87	169	234	470	660	868
11	96	186	257	517	726	955
12	104	203	281	564	792	1042
13	113	220	304	611	858	1129