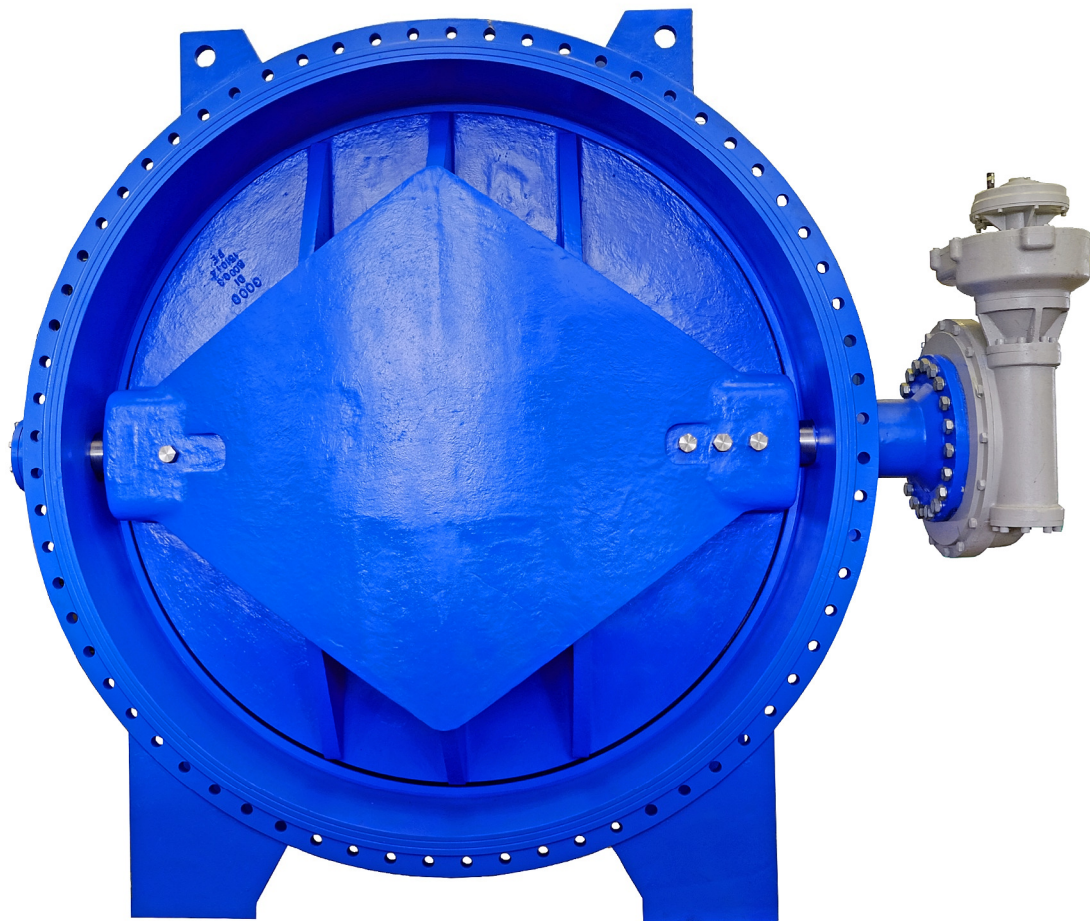


BUTTERFLY VALVE

Butterfly Valves are manufactured and tested in accordance to AS4795-2 ,AWWA C504 ,BS EN593 ,TIS383 and also meet the AS4087 ,ASME B16.1 ,BS EN1092-2 ,ISO7005-2 Flanged standard. Face to Face comply with both Long Body and Short Body ISO5752 ,BS EN558 standard. Valves are designed for Vertical, Horizontal and Flat position.



FEATURES

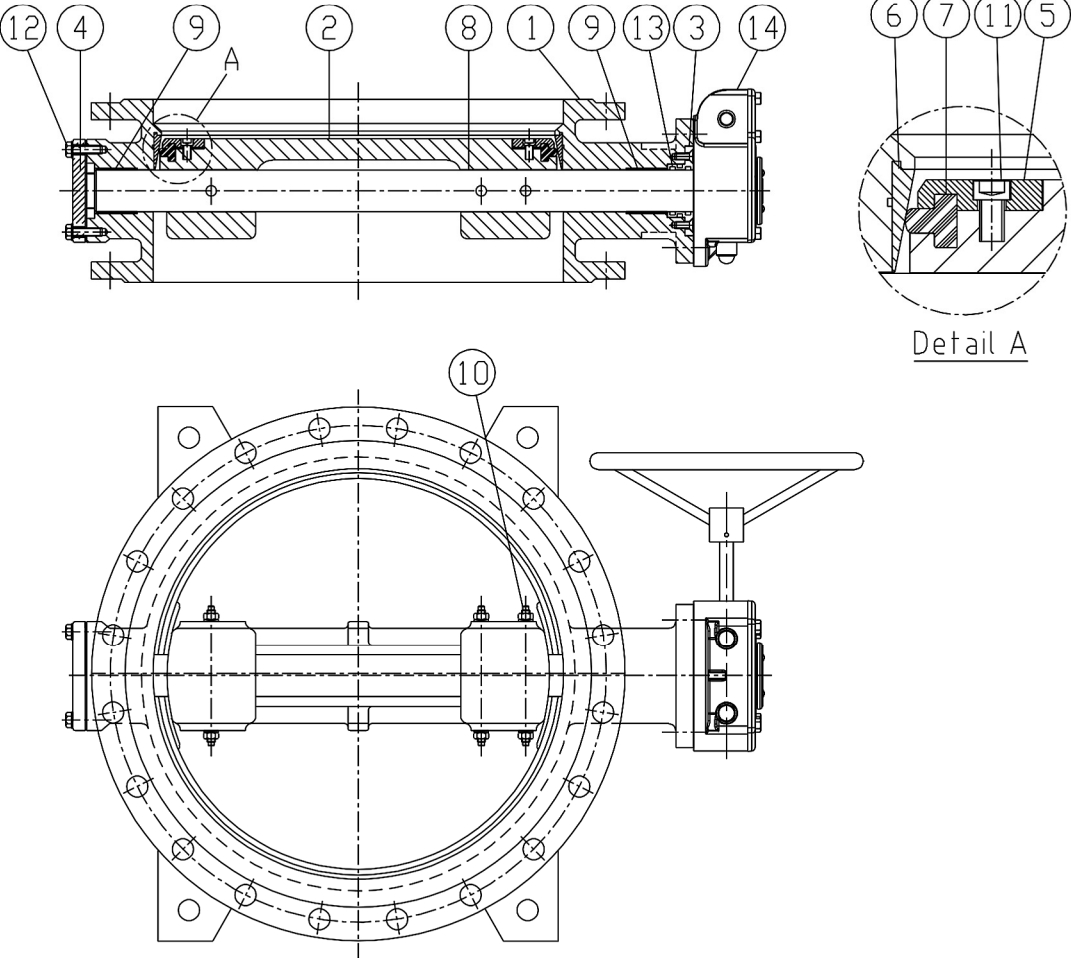
- Double eccentric design.
- Rubber seal on Disc.
- Robust stainless steel shaft.
- Ductile Iron Body
- Ductile Iron Disc.
- Stainless steel SS316 Bolts&Nuts.
- Replaceable Rubber seal.
- Shaft Bearing provide low friction.

DESIGN SPECIFICATIONS

- Size: 80 mm to 2000 mm and larger size up to 5000 mm.
- Working Pressure: 10 ,16 , ,21 ,25 ,35 ,40 Bar
- Shell test: 1.5xPN
- Seat test: 1.1xPN
- All international flange connections and coating are available
- Application fluid: water, sea water, oil, sewage
- Actuator type : Handwheel, Chainwheel, Gear, Cylinder or Electric motor.

BUTTERFLY VALVE

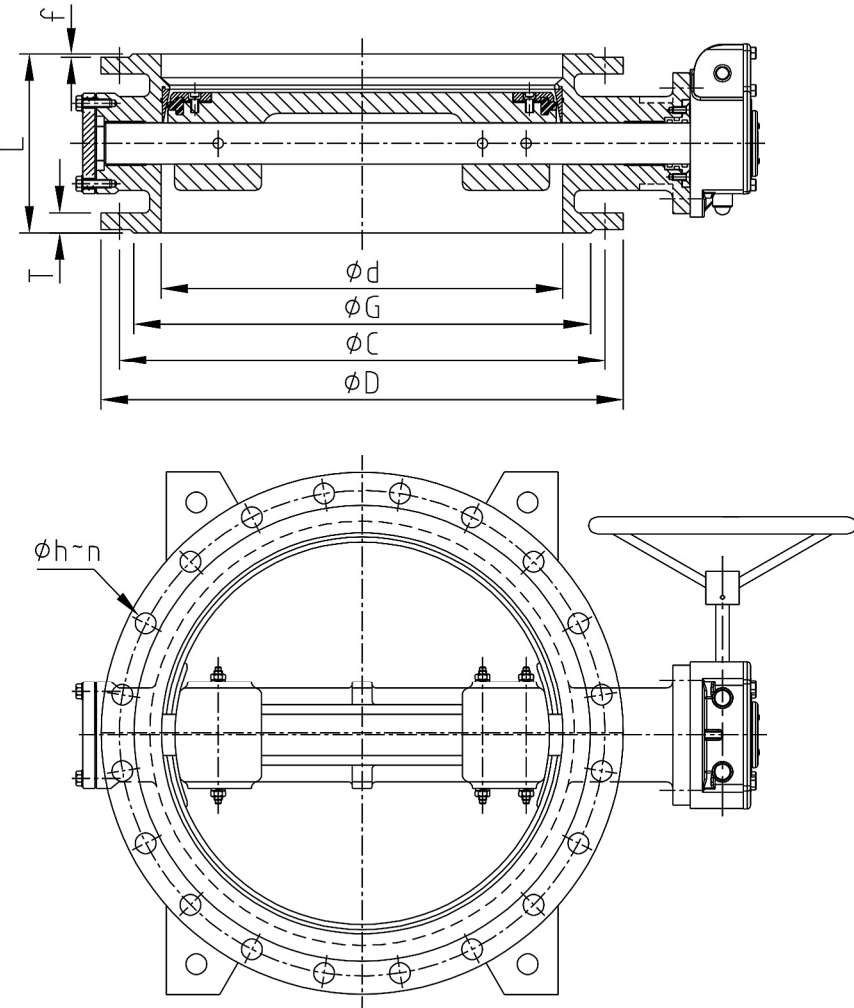
Materials



NO.	PARTS	MATERIALS	Standard&Grade
1	Body	Ductile Iron	ISO 1083/JS/500-7/S
2	Disc	Ductile Iron	ISO 1083/JS/500-7/S
3	Gland	Ductile Iron	ISO 1083/JS/500-7/S
4	End Plate	Ductile Iron	ISO 1083/JS/500-7/S
5	Internal Seal Clamp Ring (Seat Holder)	Stainless Steel	ASTM A 276 Type 316
6	Body Seat Ring	Stainless Steel	ASTM A 276 Type 316
7	Seals (Disc Seat Ring)	Elastomer	AS 1646 Grade NBR,EPDM
8	Shaft	Stainless Steel	ASTM A 276 Type 431
9	Shaft Bearing (Bushing)	Leaded Tin Bronze	AS 1565 Grade C92710 ,C93500 ,C93700
10	Shaft Stud Nut	Stainless Steel	ASTM A 276 Type 316
11	Countersunk Retaining Screws	Stainless Steel	ASTM A 276 Type 316
12	Fasteners	Stainless Steel	ASTM A 276 Type 316
13	O-Ring	Elastomer	AS 1646 Grade NBR,EPDM
14	Gear Operator		-

BUTTERFLY VALVE

Dimensions



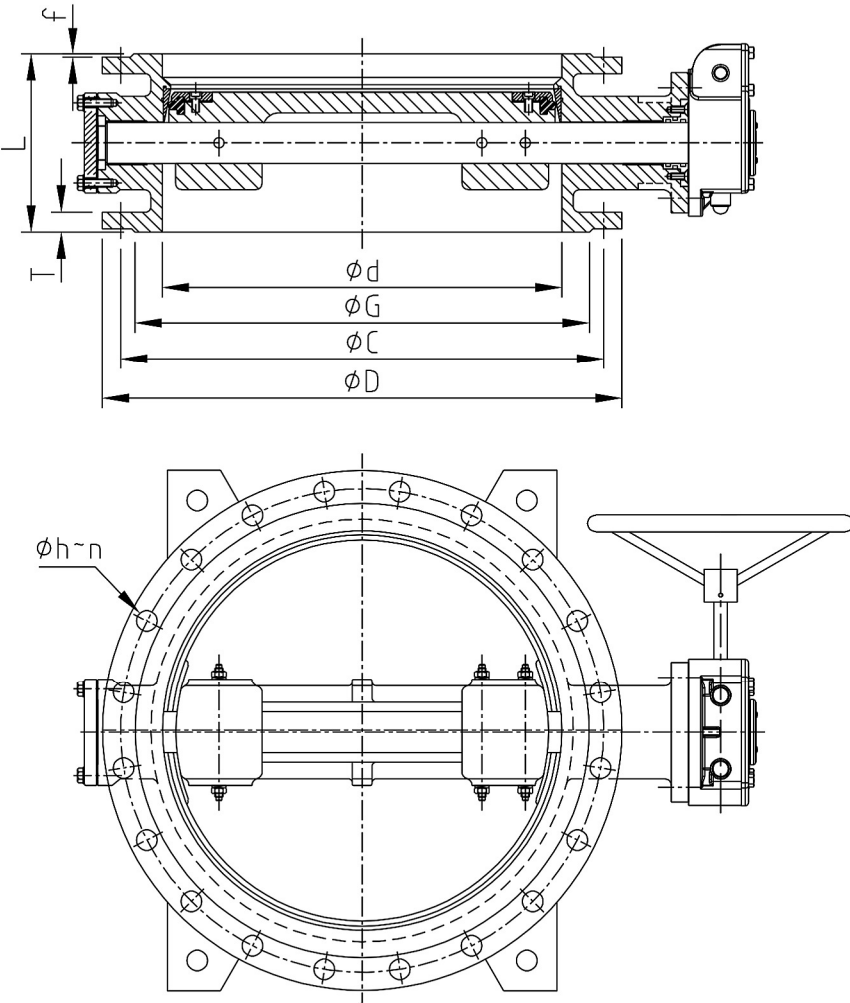
FLANGE AS/NZS 4087

SIZE	L		FLANGE AS/NZS 4087 PN16 Ductile cast iron							FLANGE AS/NZS 4087 PN35 Ductile cast iron						
	series 13	series 14	ϕD	ϕC	ϕG	ϕh	n	T	f	ϕD	ϕC	ϕG	ϕh	n	T	f
80	114	180	185	146	122	18	4	18	3	205	165	141	18	8	22	3
100	127	190	215	178	154	18	4	20	3	230	191	167	18	8	22	3
150	140	210	280	235	211	18	8	23	3	305	260	232	22	12	27	3
200	152	230	335	292	268	18	8	23	3	370	324	296	22	12	31	3
225	165	250	370	324	300	18	8	24	3	405	356	324	26	12	34	3
250	165	250	405	356	328	22	8	24	3	430	381	349	26	12	34	3
300	178	270	455	406	378	22	12	30	4	490	438	406	26	16	38	4
350	190	290	525	470	438	26	12	33	4	550	495	459	30	16	41	4
375	216	310	550	495	463	26	12	33	4	580	521	485	30	16	42	4
400	216	310	580	521	489	26	12	33	4	610	552	516	30	20	44	4
450	222	330	640	584	552	26	12	33	4	675	610	571	33	20	46	4
500	229	350	705	641	609	26	16	35	4	735	673	634	33	24	49	4
600	267	390	825	756	720	30	16	42	5	850	781	739	36	24	54	5
700	292	430	910	845	809	30	20	45	5	935	857	815	36	24	58	5
750	305	450	995	927	888	33	20	47	5	1015	940	898	36	28	59	5
800	318	470	1060	984	942	36	20	48	5	1060	984	942	36	28	63	5
900	330	510	1175	1092	1050	36	24	52	5	1185	1105	1060	39	32	68	5
1000	410	550	1255	1175	1133	36	24	56	5	1275	1194	1149	39	36	72	5
1200	470	630	1490	1410	1368	36	32	63	5	1530	1441	1385	42	40	82	5

other size or pressure. please contact manufacturer.

BUTTERFLY VALVE

Dimensions



FLANGE BS EN1092-2

SIZE	L		FLANGE BSEN1092-2 PN16 Ductile cast iron							FLANGE BSEN1092-2 PN25 Ductile cast iron						
	series 13	series 14	ØD	ØC	ØG	Øh	n	T	f	ØD	ØC	ØG	Øh	n	T	f
50	108	150	165	125	99	19	4	19	3	165	125	99	19	4	19	3
80	114	180	200	160	132	19	8	19	3	200	160	132	19	8	19	3
100	127	190	220	180	156	19	8	19	3	220	180	156	19	8	19	3
150	140	210	285	240	211	23	8	19	3	300	250	211	28	8	20	3
200	152	230	340	295	266	23	12	20	3	360	310	274	28	12	22	3
250	165	250	400	355	319	28	12	22	3	425	370	330	31	12	24.5	3
300	178	270	455	410	370	28	12	24.5	4	485	430	389	31	16	27.5	4
350	190	290	520	470	429	28	16	26.5	4	555	490	448	34	16	30	4
400	216	310	580	525	480	31	16	28	4	620	550	503	37	16	32	4
450	222	330	640	585	548	31	20	30	4	670	600	548	37	20	34.5	4
500	229	350	715	650	609	34	20	31.5	4	730	660	609	37	20	36.5	4
600	267	390	840	770	720	37	20	36	5	845	770	720	41	20	42	5
700	292	430	910	840	794	37	24	39.5	5	960	875	820	44	24	46.5	5
800	318	470	1025	950	901	41	24	43	5	1085	990	928	50	24	51	5
900	330	510	1125	1050	1001	41	28	46.5	5	1185	1090	1028	50	28	55.5	5
1000	410	550	1255	1170	1112	44	28	50	5	1320	1210	1140	57	28	60	5
1200	470	630	1485	1390	1328	50	32	57	5	1530	1420	1350	57	32	69	5
1400	530	710	1685	1590	1530	50	36	60	5	1755	1640	1560	62	36	74	5
1500	565	750	1820	1710	1640	57	36	62.5	5	1865	1750	1678	62	36	77.5	5
1600	600	790	1930	1820	1750	57	40	65	5	1975	1860	1780	62	40	81	5
1800	670	870	2130	2020	1950	57	44	70	5	2195	2070	1985	70	44	88	5
2000	760	950	2345	2230	2150	62	48	75	5	2425	2300	2210	70	48	95	5

other size or pressure. please contact manufacturer.